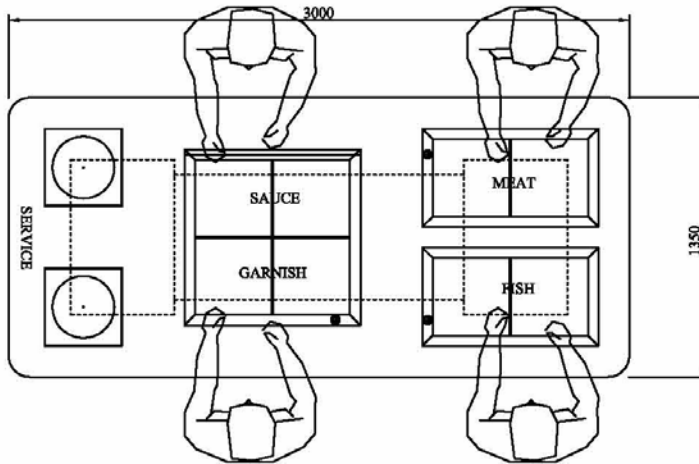


Project Information Sheet



ATHANOR SUITES
 CREATEUR ET CONCEPTEUR DE FOURNEAUX SUR MESURE

Ardeonaig
 Hotel & Restaurant

**Location:**

South Side Loch Tay, Killin, Perthshire

Old Drovers Inn, having 20 rooms, 7 suites within the grounds, fine dining restaurant, modern brasserie and 'wine cellar' dining.

Suite details:

Table top suite 3000mm long x 1350mm wide comprising: 2x single radiant hob, 1x 4 zone 'Plaque Athanor' plancha, 2x 2 zone 'Plaque Athanor' plancha. Unit mounted on stainless steel pedestal legs

**Case Study**

Set on the south side of Loch Tay is the idyllic location for Ardeonaig Hotel. Pete Gottgens (Chef Proprietor) has recently completed a £1.2m redevelopment of the property. This included the building of 7 Rondawels (round house) suites in the grounds, new brasserie and cellar dining rooms and central to it all a new kitchen.

The main objective of the redevelopment was to increase revenue through accommodation and dining numbers. As part of the new infrastructure is a new kitchen at the heart of which is an Athanor suite which Chef spent months considering.

"I wanted the focal point in the kitchen to be the suite and I considered many manufacturers and many options - gas / electric / solid tops / planchas" says Gottgens. "I spent time here in the UK and in Europe considering all my options and ultimately chose to work with Athanor". "The whole approach and concept they brought was very much about challenging my ideas of working and how I could develop the style of cooking and organisation of the kitchen" adds Chef. "I'm all for letting the product on the plate do the talking - don't over complicate the dish - let the natural flavour of the product come through, that's why the stove we've got is great, it allows me to cook directly on to the 'Plaque Athanor' plancha - achieving a perfect result time after time.

Signature

FSE LIMITED