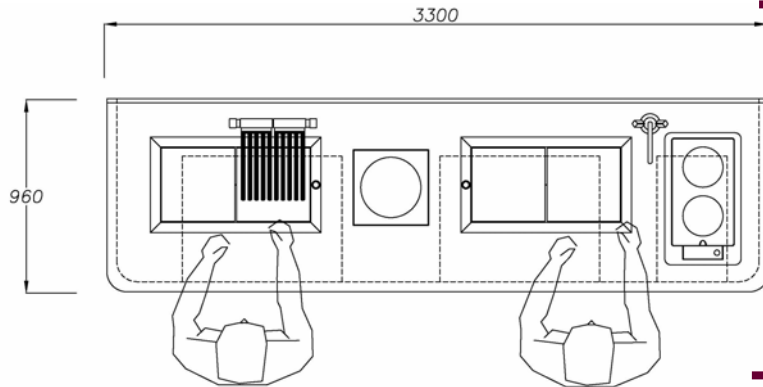


Project Information Sheet



ATHANOR SUITES
 CRÉATEUR ET CONCEPTEUR DE FOURNEAUX SUR MESURE



Toulouse

RESTAURANT | BAR | BISTRO



Location:

Western Esplanade, Westcliff on Sea, Essex
 SS0 8FE

60 cover brasserie restaurant, with extensive views across Thames estuary, and open kitchen with crustacean display

Suite details:

3300mm long x 960mm wide wall suite comprising: 1x 2 zone 'Plaque Athanor' Plancha, 1x single radiant hob, 1x 2 zone 'Plaque Athanor' plancha, 1x 1/1Gn multi-cooker (water bath), 1x hinged electric bar grill (set over 'Plaque Athanor'), 2x double width pan storage cupboard.

Case Study

Located right on the seafront at Westcliff on Sea you will find Toulouse Restaurant Bar and Bistro, the new dining venture of Chef Patron Stephane Bailhe. "Having had a restaurant in the area for the past 15 years - I'd been looking to move and create a more informal 'local' dining environment where the emphasis was on seafood as fresh as it could be." The new restaurant is located in what was a public convenience. "The local council were looking to sell off the property - I thought what a location for a restaurant and here we are one year on" comments Chef.

Toulouse is an informal bar bistro operation open throughout the day. Attracting trade for breakfast, lunch and dinner, the kitchen is on the go 18 hours per day. At the centre of the kitchen (which is open for the public to see in) is an all electric Athanor bespoke wall suite.

"The suite is fantastic - we have loads of production space for mise-en-place with the 2x double 'Plaque Athanor' plancha, radiant hob and multi-cooker" comments Bailhe. "Then during service we use one double 'Plaque Athanor' for direct cooking - the second as a 'solid top' with the multi-cooker used for pasta and chaufant work - its offers us so much flexibility"

Signature

FSE LIMITED